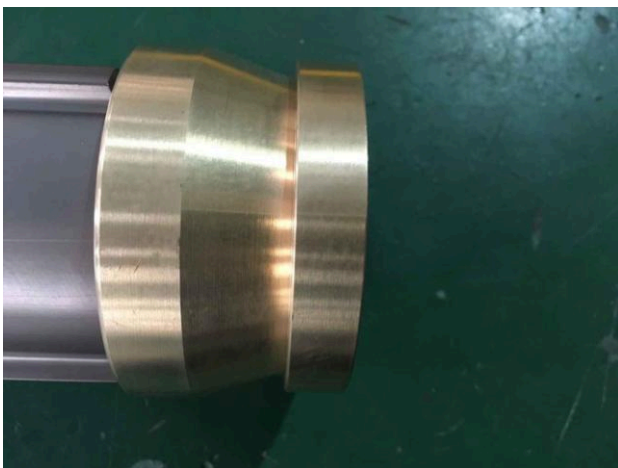


Spray Gun



Spec:

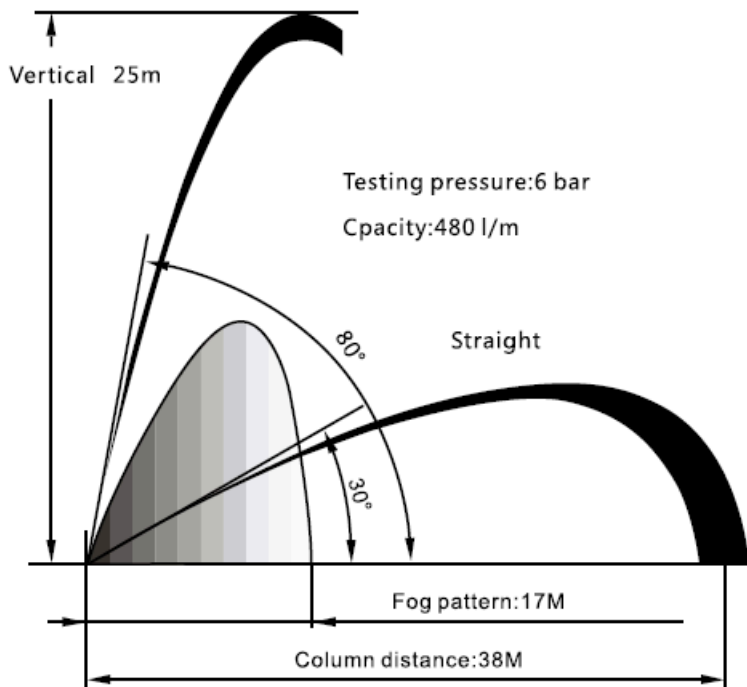
Pressure range:

The head is made of rubber.

Nozzle body and grip is made of aluminium which is anodized for anticorrosion.

Spinning teeth will makes the fog more sufficient for extinguishing fire and reducing the temperature.

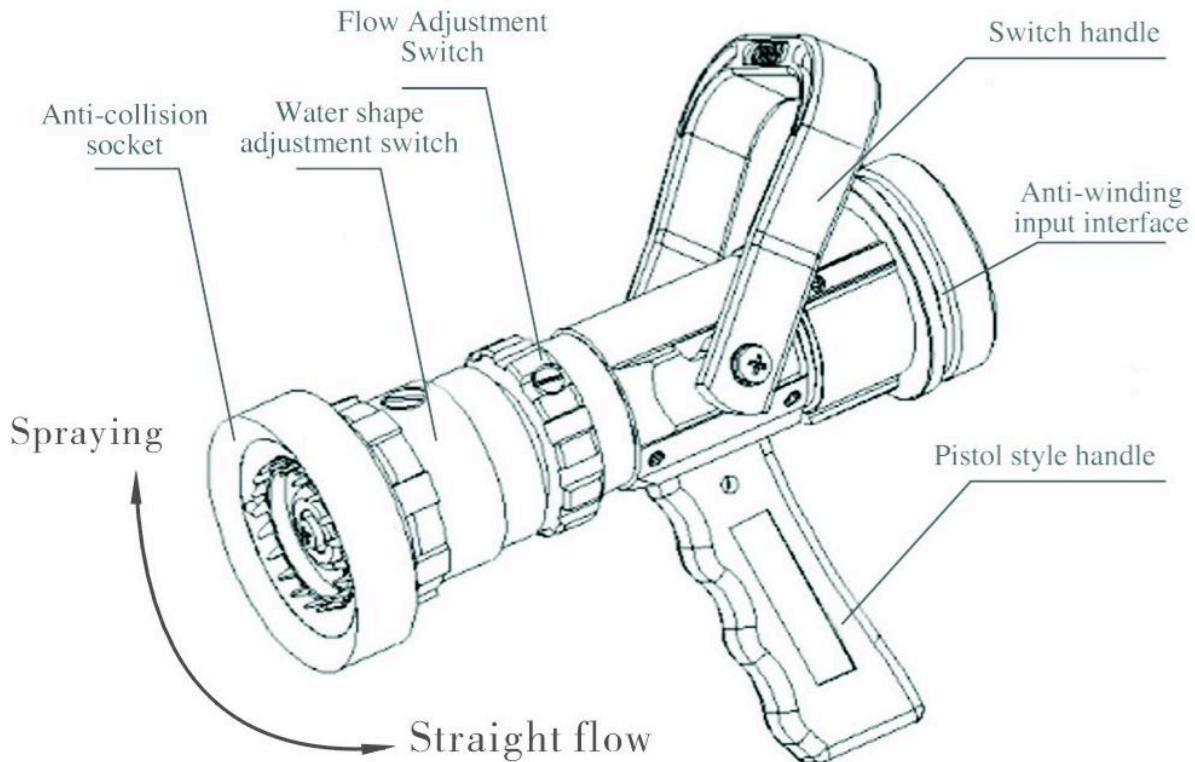
Selectable head can be adjusted in different patterns,such as straight stream,fog pattern water flowering.



技术参数

Technical Parameters:

外形尺寸/Size	390 × 250mm	连接方式/connection type	英式、德式、日式 / British Type、German Type、Japanese Type
重量/Weight	≤2.0kg	喷射功能/ jet function	开花、直流、喷雾 / Straight to spray
进水口径/inlet dia	65、50、40	基本功能/basic function	开一关；水带防阻断水流 / open-close ; prevent water hose knot
额定压力/Rate pressure	0.6Mpa	材 料/material	高强度航空铝合金 (T5热处理) / high strength aluminum
额定流量/Rate flow	480L/min	表面处理/surface treatment	阳极氧化防腐处理 / anodized for anticorrosion
承压范围/Working pressure	3.5--16 bar		



Technical Parameter

Outline Dimension	320x230mm
Weight	≤2.0kg
Inlet Size	65,50,40, available other sizes
Rated Pressure	6 Bar
Rated Flow	500L/min
Pressure scope	3.5-16bar
Adjustment Range	200-300-400-500 L/min
Connection Inlet coupling	British Instantaneous coupling(John Morris coupling), Storz coupling, Machino coupling,Gost coupling and Rotta coupling, Finnish coupling, Forestry coupling
Spray Function	Shower spray, direct current, fog and gun bore high pressure washing
Basic Function	On-Off; water hose anti-clogging current
Additional function	Prepare spraying foam mixture for foam generation tube
Material	High strength aviation aluminum alloy (T5 heat treatment)
Surface Treatment	Anodized in 50 microns

Production Introduction

1. New type aluminum alloy AGS structure, T5 heat treatment, light tough and durable.
2. 50 micron anode oxidization and Teflon coating treatment are performed to avoid mechanical disruption and chemical erosion.
3. The anti-collision socket of EPDM gun head is made of high elastic material, which is an excellent insulator that does not melt at high temperature.
4. Pistol style handler (made of EPDM) that meets the ergonomics design is slip resistant and easy to operate.
5. High quality foam can be generated when equipped with foam device and combined with foam expansion tube.

Technical Features

1. Both flow adjustment and gun bore high pressure washing can be realized by means of rotating flow adjustment switch, which is selectable with flow indicated on it; as long as a flow is selected, such flow may be obtained under the pressure of 6 bar (rated pressure).
2. Rotating input interface can avoid the wind-up of water hose.
3. Maximum work pressure is 16 bar.
4. Switch operation is swift and convenient.

Usage

1. Slowly turn on and turn off while in use
2. ON: pull the handle toward to water inlet
3. OFF: pull the handle toward to water outlet
4. Spraying status can be changed by rotating water shape adjustment switch to realize the effects of fogging.
5. 5 shifts of flow can be adjusted by rotating flow adjustment switch to satisfy the use on various occasions.

Cautions:

1. Turn on and turn off slowly. Turning on quickly will produce sudden thrust. Turning on or off quickly will lead to water hammer.
2. When the pressure is lower than indicated on the lable, the flow of nozzle will be deduced. Ensure that you've gotten enough flow and pressure.
3. It cannot be used for fire hazard caused by electricity, or else it may lead to electric shock.
4. Use fresh water or standard firefighting foam. Saline water is not recommended. It shall be washed with fresh water after using foam or saline water.